



X SERIES Manual v1:1.

(X1 - X2 - X3 - X4 - X5 - X6)



TABLE OF CONTENTS

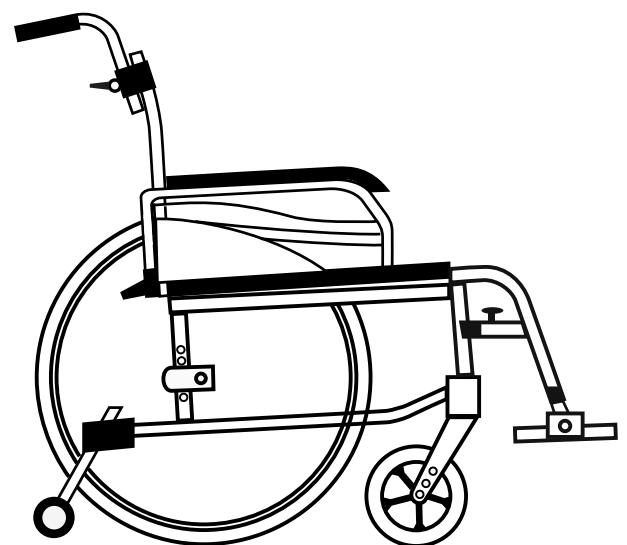
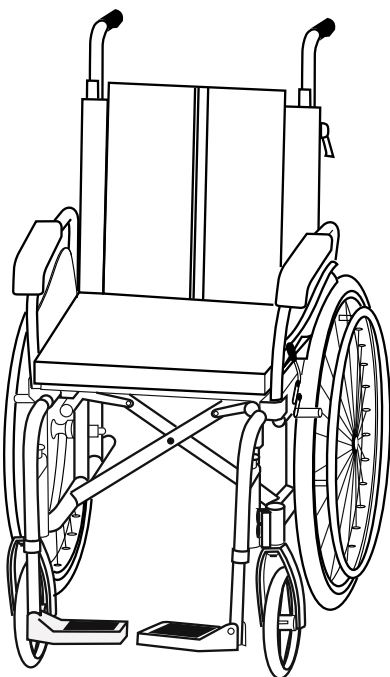
1.0	GENERAL INFORMATION ABOUT YOUR WHEELCHAIR
1.1	Major Components
1.2	Wheelchair Identification
1.3	Suitable Operational Conditions
1.4	User Description
2.0	ASSEMBLY INSTRUCTIONS
3.0	GENERAL OPERATIONAL INSTRUCTIONS
3.1.1	Unfolding
3.1.2	Folding
3.2	Adjusting Backrest Tension Straps
3.3	Flip Back and Removable Armrests
3.4	Foot/Leg Rests
3.5	Anti-Tipper Wheels
3.6	Quick Release Wheels
4.0	GENERAL SAFETY PRECAUTIONS
5.0	WHEELCHAIR ADJUSTMENTS
6.0	MAINTENANCE
6.1	General Maintenance Check
6.2	Normal Wear and Tear Components
6.3	Care for your Wheelchair
6.4	Troubleshooting
6.5	Repairing
7.0	DIMENSIONS AND SPECIFICATIONS
8.0	CERTIFICATION
9.0	WARRANTY
9.1	Warranty Description
9.2	Warranty Conditions
10.0	SERVICE LOG

Congratulations and thank you for choosing the Aktiv Wheelchair - the ultimate in design and engineering for maximum comfort and durability. It is important to read the instructions in this manual carefully before use. Keep your manual in a safe place and use it for future reference. This manual covers basic instructions such as assembly of parts, safe operation, maintenance, warranty and serviceability.

Please ensure you keep your new Aktiv Wheelchair in good repair, do not use if it appears to be damaged in any way.

GENERAL DESCRIPTION

You have purchased a standard style wheelchair built for general purpose use. It may be adapted slightly to better suit your needs. Your wheelchair features a collapsible folding frame (side to side), making it easy to transport and store. Your wheelchair is designed to be used with the occupant seated at all times only. It features certain components that may be adjusted to make the wheelchair more comfortable for you. Wheelchairs fitted with large "self propel" rear wheels (with handrims) can be propelled by either the occupant or by an attendant. Wheelchairs fitted with smaller "transit" rear wheels can only be propelled by an attendant.



1.0 General Information about your Wheelchair

1.1 Major Components of your Wheelchair

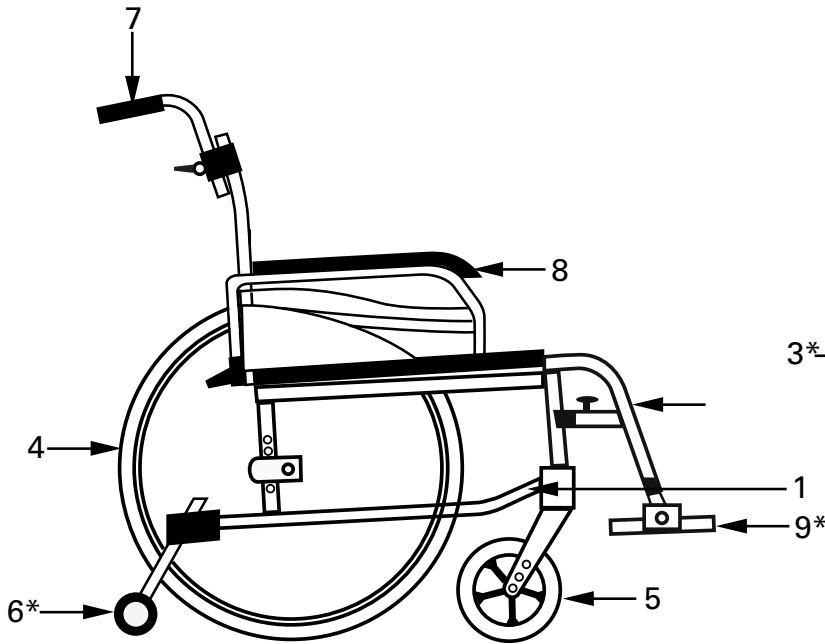


Fig. 1A

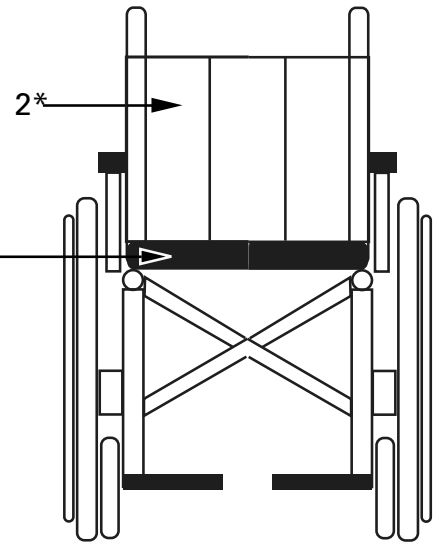


Fig. 1B

1	Frame	
2	Backrest *	models with tension strap backrests will have a removable padded cushion
3	Seat *	some models have a removable padded cushion
4	Rear Wheel	
5	Front Wheel	
6	Anti tipper *	supplied standard on some models
7	Push Handles	
8	Armrest	
9	Foot Rest *	elevating legrest and amputee stump supports available for all models

Tools Supplied with your Wheelchair:

*may vary slightly between models

1. Size 4 Hex Key

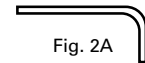


Fig. 2A

2. Size 5 Hex Key

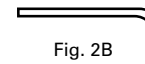


Fig. 2B

3. Size 6 Hex Key

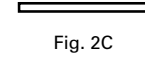


Fig. 2C

4. Multi Spanner

*not supplied with all models

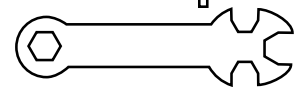


Fig. 2D

1.2 Identify your Wheelchair:

manufacturer's trademark _____ **aktiv** MURRAY **2 YEAR WARRANTY** * conditions apply

product name _____ **Aktiv X5**

product description _____ **Wheelchair for indoor/outdoor use**

product code _____ product code: X5

unique serial number _____ serial number: xxFHCBRxx-xxxxxxx

ARTG number _____ ARTG No: XXXXX

date of manufacture _____ production date: dd/mm/yyyy

_____ 1 year conditional warranty on performance and manufacturers defects _____ warranty information

_____ **max. user mass** _____ maximum weight capacity

_____ **135kg**

_____ **observe warning labels** _____ **read user manual before use**

_____ **general advise note**

Fig. 3

1.3 SUITABLE OPERATIONAL CONDITIONS

The wheelchair you have purchased is suitable for use indoors or outdoors, in smooth to moderate terrain. It is not recommended for use over rough terrain, loose gravel or soft sand. The wheelchair should never be immersed in water or be exposed to salt water or other corrosive materials. Clean your wheelchair thoroughly after use in rainy or wet conditions to avoid corrosion.

1.4 USER DESCRIPTION

This wheelchair can be adjusted to fit a range of body shapes and sizes. Specific adjustments to the wheelchairs components will be shown throughout this booklet. Optional accessories can be fitted to all Aktiv chairs to accommodate a wide variety of disabilities comfortably. Always consult with a trained health care professional to find which adjustments are required to make your wheelchair suit you best.

ASSEMBLY INSTRUCTIONS:

- 1.** To remove or attach the rear quick release wheels press the detent release button on the axle with your thumb and pull to remove or push to attach. (ref. fig. 6)
- 2.** Some wheelchair models are supplied with a separate seat cushion and backrest padding. They are simply attached by velcro. Once the wheelchair is open, place the seat cushion and backrest padding on the chair so the velcro sections attach to each other or so that the non slip surface is placed downwards against the sling.
- 3.** Attach the footrest hangers by sliding it into the frame from the outside and then swinging it towards the front allowing the catch to hold the footrest in place securely. Flip footrest down for feet to rest upon. (ref. fig. 6) To remove pull the release lever on the footrest hanger and swing to the outside of the chair. Lift the hanger off the frame.

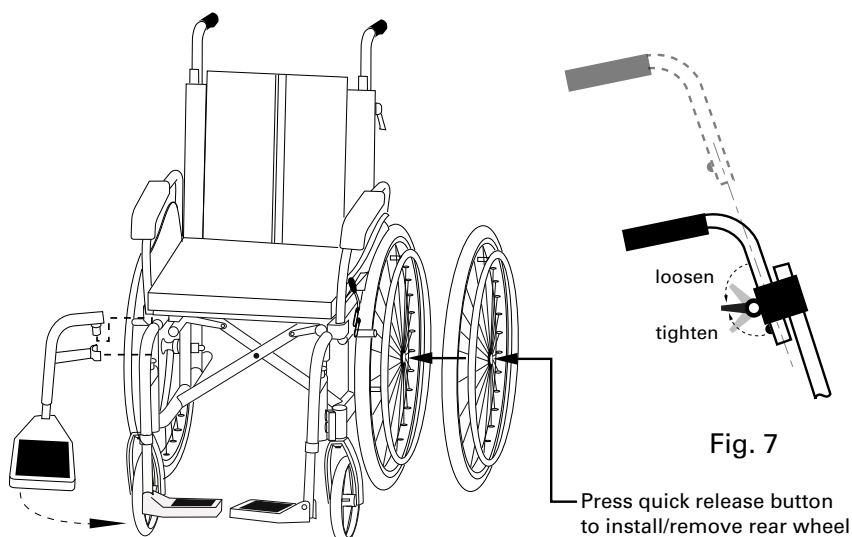


Fig. 6

Fig. 7

Press quick release button to install/remove rear wheel

3.0 GENERAL OPERATION INSTRUCTIONS

3.1 FOLDING/UNFOLDING WHEELCHAIR:

3.1.1 To Unfold:

Push down on each side of the seat as shown by the arrows until the seat frame clips into position.

HINT: Raising one wheel slightly off the ground may help to open the wheelchair easier.

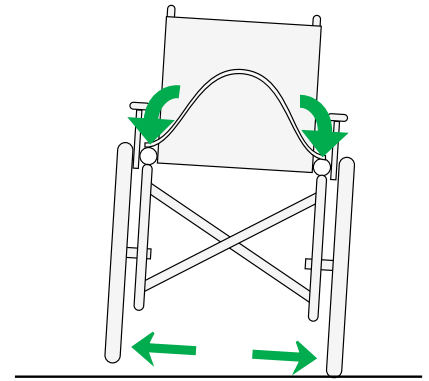


Fig. 8A

3.1.2 To Fold:

Pull seat up from the centre to release the seat clips and fold wheelchair up completely.

HINT: Raising one wheel slightly off the ground may help to fold the wheelchair easier.

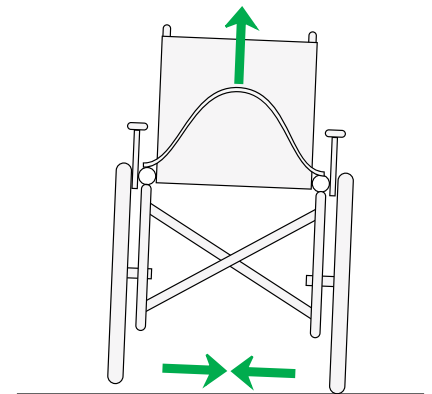


Fig. 8B



Warning

Do not open the wheelchair by pulling the handles or the armrests apart. This can weaken the wheelchair and cause possible harm to the occupant.

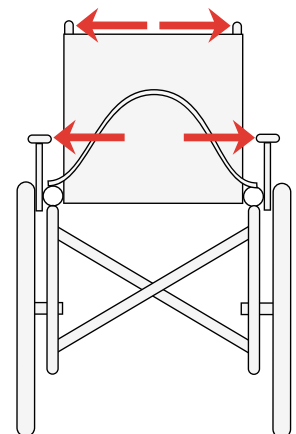


Fig. 8C

3.2 ADJUSTING BACKREST TENSION STRAPS

Some Aktiv Wheelchairs are supplied with backrest tensioned straps (under backrest cushion) which are provided to provide better posture support for users. The contour of the backrest can be adjusted slightly by loosening or tightening straps. The straps only need to be set once.

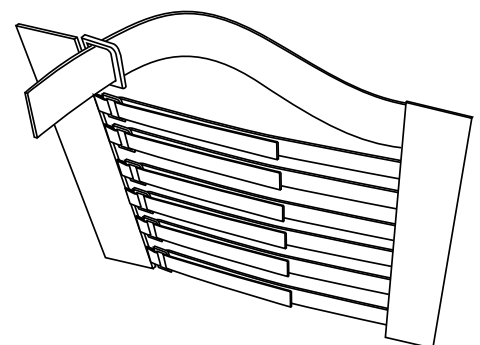


Fig. 9

3.3 FLIP BACK AND REMOVABLE ARMRESTS

Some Aktiv Wheelchairs are fitted with flip back and removable armrests designed for transferring out of or into the wheelchair from the side. Depress the lever at the front of the armrest frame to allow the armrest to flip back. Pull armrest release lever to remove armrest completely.

Your wheelchair may be equipped with height adjustable armrests. Press the release button on the armrest shaft and push/pull to desired height.

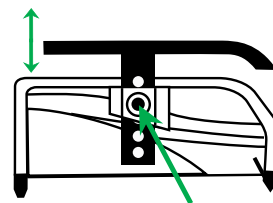


Fig.10A

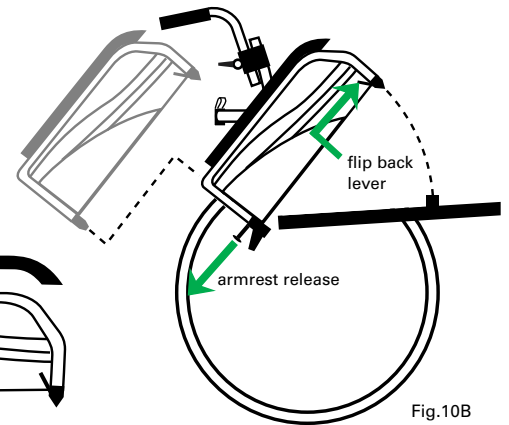



Fig.10B

3.4 FOOT/LEG RESTS

Aktiv Wheelchairs are equipped with swing away and flip up foot plates (refer to Assembly instructions for installation). Foot plates need to be flipped up or swung away when transferring out of the wheelchair. Foot rests can be removed completely for transportation or storage purposes. DO NOT stand on foot plates as this will cause the wheelchair to tip over.


Foot plates should be adjusted correctly to provide comfort and support to the occupant. Always ensure that foot plates are adjusted so that there is even pressure distribution on seated body parts. Excessive pressure on contact points may lead to serious discomfort or skin lesions. Always consult with a trained healthcare professional when adjusting footplates. Foot plates can be adjusted by loosening or removing the footplate adjustment screw (at the rear of the foot rest hanger) and sliding to the desired length. Always ensure that the screw is tightened once adjusted and the foot plate is secure.

 **Warning:** Footplates should not be adjusted lower than 70mm from the ground

Elevating legrests are available as an option for your wheelchair. They fit to the wheelchair frame in the same way that the standard foot rests do. The Elevating leg rests can be raised towards horizontal for occupants who have difficulty bending their knees. Similar considerations are needed when adjusting elevating leg rests. Always consult with a trained healthcare professional when adjusting elevating leg rests. Anti-tipper wheels are required for users that regularly ascend ramps steps or steep inclines. They are a safety device that can be fitted by your wheelchair supplier to prevent the wheelchair from tipping backwards when the centre of gravity of the wheelchair is shifted to the rear. Release adjustment catch and slide anti-tipper wheel vertically to desired height.

3.5 ANTI-TIPPER WHEELS

adjustment catch Your wheelchair may be fitted with quick release wheels for easy transportation and compact storage. Refer to the assembly instructions on installing and remove quick release wheels safely.

 **Warning:** Quick release wheels must be re-installed properly to avoid wheel from sliding out causing harm to occupant during use.

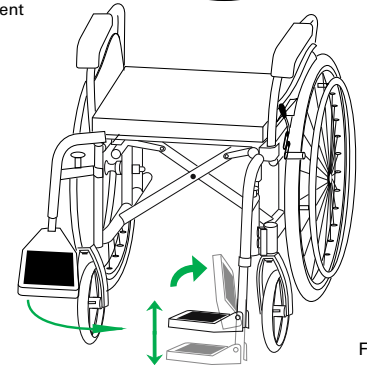


Fig.11A



Fig.11B

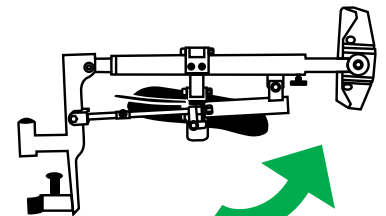


Fig.11B

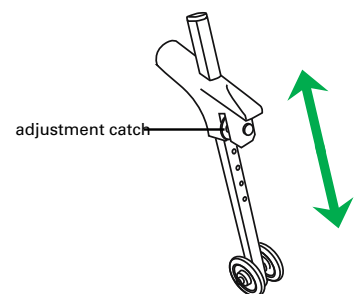


Fig.12

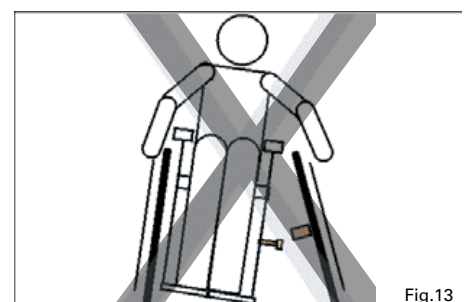


Fig.13

4.0 GENERAL SAFETY PRECAUTIONS

The safety of the user requires close attention to ALL safety warnings in this manual. The user must always be aware of the centre of gravity of the wheelchair when attempting to reach for objects in a forward motion or down between the user's knees. For extra stability, we recommend the use of the safety belt included as an additional safeguard. Lifting of the wheelchair by any detachable parts is not recommended as it may result in injury to the user or an assistant.

Please adhere to ALL WARNINGS and CAUTIONS in this manual and read the safety instructions carefully prior to use.

DIAGRAM 1.

This wheelchair is equipped with non-weight bearing footplates which are designed only to hold the user's legs in a comfortable position whilst seated.



WARNING!
 Always place feet firmly on the ground when transferring off or onto the wheelchair. DO NOT stand on the wheelchair footplates. This will result in the wheelchair tipping forward and will cause serious injury.



DIAGRAM 2.

Always engage rear wheel park brake, flip footrest up and swing leg rest away (if required) whilst transferring on or off the wheelchair.

WARNING!
 Failing to engage the rear wheel park brake will result in the wheelchair to move backwards whilst transferring. This can cause serious injury.

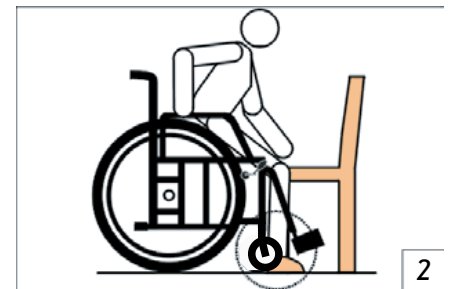


DIAGRAM 3.

Always ensure all 4 wheels are in complete contact with the ground whilst operating the wheelchair.


WARNING!
 DO NOT tip the wheelchair backwards and allow the front wheels to leave the ground as the user may fall backwards and injure themselves.



DIAGRAM 4.

Whilst out and about, always use ramps or elevators provided.


WARNING!
 DO NOT attempt to descend down stairs or pavements or escalators without an attendant. Failing to acquire help in these situations will result in injury.



DIAGRAM 5.

It is strongly recommended this wheelchair be equipped with anti-tipping wheels (standard on some models) if the user requires manoeuvring on ramps or steep inclines.


WARNING!
 Failing to use anti-tippers on an incline will result in injury.



DIAGRAM 6.

DO NOT attempt to reach for an item in front of the wheelchair, instead pull up next to the item and reach for it from the side of the wheelchair.



WARNING!

Failing to reach for items from the side will result in the wheelchair tipping forward and serious injury will occur.

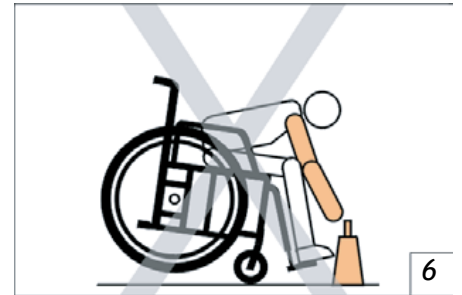


DIAGRAM 7.

Ensure that the front castors are facing forward when attempting to pick up an item from the side to ensure stability of the wheelchair.



WARNING!

Failing to move the front castors to face forward will result in instability and will cause the user to lose balance which will result in injury.



DIAGRAM 8.

Whilst reaching for items from the side of the wheelchair, ensure it is as close to the wheelchair as possible to prevent the user from stretching their upper body out of the wheelchair.



WARNING!

Stretching too far out of the wheelchair will cause the wheelchair to tip sideways resulting in injury to the user.

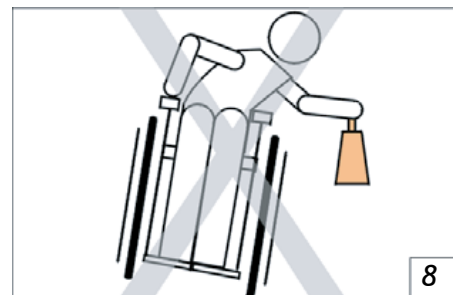


DIAGRAM 9.

The user must never turn their upper body rearward to reach behind the wheelchair. Instead, position the wheelchair as close to the item as possible, face the front castors forward and reach back only as far as the arm will extend without changing the sitting position.



WARNING!

DO NOT stretch or reach behind the backrest to pick up an item as this will cause the wheelchair to tip backward resulting in injury.

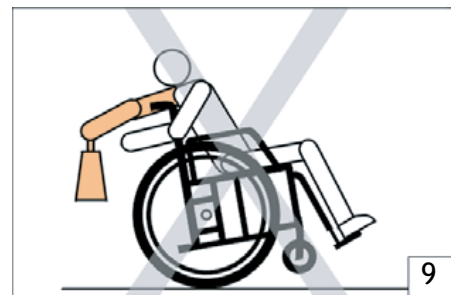


DIAGRAM 10.

Only use bags specifically designed for wheelchairs, allowing for even weight distribution at all times.



WARNING!

Carrying excessively heavy wheelchair bags will result in the wheelchair tipping backwards and will cause the user injury.



DIAGRAM 11.

When assisting an occupant onto or off a wheelchair, ensure wheels are locked; castors are facing forward and foot plates are swung up and away.



WARNING!

Failing to lock wheels will cause the wheelchair to move away and applying weight to the footplates whilst transferring will cause the wheelchair to flip forward. Failure to observe these warnings whilst transferring will cause injury to both the occupant and the attendant.



5.0 WHEELCHAIR ADJUSTMENTS.

The wheelchair you have purchased is supplied to a general industry standard configuration and setting. This wheelchair may have adjustment capabilities such as:

- Seat height/angle adjustment,
- Seat width adjustment,
- Seat depth adjustment,
- Backrest height adjustment,
- Backrest angle adjustment,
- Footplate plate adjustment,
- Rear wheel position adjustment, etc.

Please refer to the wheelchair prescription form (available from your dealer on request) for a full list of adjustments available on your wheelchair.

NOTE: Prescription forms are not available with some basic (non adjustable) wheelchairs.

An example of a wheelchair prescription form is shown below.

AKTIV X6 ADAPTABLE WHEELCHAIR
ADAPTABLE WHEELCHAIR OPTIONS

seat width 51cm
seat width 46cm

A. SEAT: Available in two seat widths. Please select the seat width of your choice.

B. SEAT: Available in four seat depths. Please select the seat depth of your choice.

C. CUSHION: Supplied with a 5cm thick medium density foam cushion as standard. However there is a variety of other wheelchair cushions available in the Freedom Healthcare range that may better suit your specific needs. Please choose the wheelchair cushion you prefer.

D. SEAT HEIGHT: Refer to the Seating Diagram Overleaf for available seat heights for this model.

E. BACKREST: Available with two Backrest Heights. Please select your preferred backrest height of your choice.

F. BACKREST: Available with an angle adjustable backrest. Please select your preferred backrest angle.

G. ARMREST: Available with a height adjustable armrests. Please specify your preferred armrest height.

H. LEGREST: Available with a height adjustable swingaway footrests as standard or with height adjustable elevating legrests as optional. Please choose your preferred leg/foot rest and specify your preferred footrest height from floor and fore/aft position of footplate. Head straps included.

I. WHEELBASE: Available with an adjustable wheelbase to suit with personal manoeuvrability and balance requirements. Please specify your preferred wheelbase (measured from centre of axles).

J. TYRES: Available with three tyre options.

K. CASTORS: Available with two front castor options.

L. HANDLE BAR: Available with height adjustable handle bars. Please specify preferred handle bar height from floor.

M. UPHOLSTERY: Available with a waterproof upholstery option.

N. LABOUR COSTS: The above mentioned adjustments may incur a labour cost.

O. OPTIONAL EXTRAS:

P. TOTAL COST:

AKTIV X6 ADAPTABLE WHEELCHAIR
DETERMINATION OF SEAT HEIGHT/RAKE

seat width 51cm
seat width 46cm

FRONT SEAT HEIGHT

Determine Front Seat Height by adjusting the vertical position of the front wheel

Front Axle Position	Front Seat Height
standard S (150mm) front wheel	S (152mm) front wheel
Hole 1	542.0mm
Hole 2	570.0mm
Hole 3	585.0mm

REAR SEAT HEIGHT

Determine Rear Seat Height by adjusting the vertical position of the Rear Axle Plate

Rear Axle Plate Position	Rear Seat Height
Hole 1	553.0mm
Hole 2	517.0mm
Hole 3	531.0mm
Hole 4	545.0mm
Hole 5	559.0mm

Other customer seating requirements

example only! may not be suitable for your particular wheelchair

Please consult with a trained health care professional for the correct adjustments required to make your wheelchair best suit your needs. Any re-adjustments must be made by an authorised Aktiv Wheelchairs technician.

Any adjustment made must be carried out by an authorised Aktiv Wheelchairs dealer or technician.

Failure to do so will void the warranty! It is essential that any adjustments made to your wheelchair be reordered for warranty purposes in the table below.

Adjustment	Date	Carried out by: (company)	Signature

6.0 MAINTENANCE

Protect your Aktiv Wheelchair, and ensure safety during use with regularly servicing and maintenance checks. Early detection of problems can prevent unnecessary costs or injury. Follow the maintenance and servicing requirements shown in the table below. Remember to always use genuine Aktiv Wheelchair spare parts and have your wheelchair serviced by an authorised Aktiv Wheelchair technician.

6.1 GENERAL WHEELCHAIR MAINTENANCE CHECK

Weekly Checks	Monthly Check	Periodic Checks	Yearly Checks
Wheelchair rolls straight. Inspect for bent or broken spokes. Check tyre pressure. Check rear and front castors for wobbles. Wheelchair opens easily.	Inspect tyres for flat spots and wear. Rear wheels spin freely with brake disengaged. Axle nuts and sealed bearings tensioned correctly. Cross brace bolt secure but not over tightened. Tears or separations on upholstery.	Locks engage easily. Bending or fatigue on cross brace.	A full service to check all prior mentioned checks as well as signs of fatigue on the frame.

6.2 NORMAL WEAR AND TEAR COMPONENTS

The following components are the most common (but not limited to) items that may be periodically replaced due to normal wear and tear. The lifespan of these components depends largely on the frequency of maintenance checks:

- Tyres and tubes,
- Front wheel,
- Hand grips,
- Seat and backrest upholstery,
- Bearings,
- Footplates, and
- Brakes

The normal wear and tear of these items are not covered by the manufacturers warranty on this wheelchair.

6.3 CARE FOR YOUR WHEELCHAIR

1. Clean product with soapy water or mild detergent only. Do not use harsh, caustic or abrasive cleaners as this will void your warranty. Always rinse off soap residue after use.
2. This product is not suitable in highly corrosive environments such as the beach and swimming pools.
3. Adhere to the maintenance schedule shown above to ensure longevity and safe use of the product

6.4 TROUBLESHOOTING

Your Aktiv Wheelchair is supplied with factory settings and configurations as standard. Sometimes your wheelchair may need to be adapted to suit your needs better. Constant use requires rigid maintenance, especially if the wheelchair has been altered. The following troubleshooting guide lists several common problems with that may occur, and offers corrective actions for each. We recommend the use of only genuine Aktiv Wheelchair replacement parts. Please contact your dealer for a list of spare parts for your wheelchair.

SYMPTOM							
Looseness in chair	Squeaks / rattles	Caster flutter	The wheelchair is too heavy	Sluggish turning	Chair veers left	Chair veers right	
							POSSIBLE CAUSE AND CORRECT SOLUTION
✓			✓	✓	✓	✓	Tyre pressure may be incorrect or unbalanced. Insure that pressure is correct and equal in both wheels
✓	✓	✓		✓			Nuts and/or bolts may be loose. If so, tighten. Bolts should be snug.
		✓		✓	✓	✓	Rear wheels and/or casters may be adjusted improperly. Insure that both rear wheels are mounted in identical positions, and that casters are mounted in identical positions.
			✓				Bearings could be worn.
		✓		✓	✓	✓	Caster stem(s) may be adjusted improperly. Correct adjustment

If you have a problem that cannot be solved in the troubleshooting table, we recommend that you contact your dealer, or Aktiv Wheelchairs.

6.5 REPAIRS

Only those parts that are removable (without tools) are suitable for replacement and fitment by the user. The repair of these parts must be carried out by an authorised service agent. These parts include, but are not limited to; Foot/leg rest assemblies, Armrest assemblies, Push handles and hand grips, Quick release rear wheels.

Maintenance checks mentioned in table 6.1 are suitable to be carried out by the user. Any repairs required therefore must be carried out by an authorised service agent. In the event that the wheelchair is loose, unstable or has signs of fatigue such as cracks, tears or splitting please return the entire wheelchair to an authorised service agent for immediate attention and repair. To return the entire wheelchair for repair, ensure footrests and cushions are removed and packaged separately.

Fold wheelchair and pack securely into a large carton. Return address details must be shown clearly on the packaging. Replacement parts are readily available, and can be ordered in by your authorised service agent from the manufacturer. Find an authorised service in your area by contacting: Aktiv Wheelchairs

7.0 DIMENSIONS AND SPECIFICATIONS

Below are the performance and dimensional attributes of the wheelchair, tested in accordance with AS3695 by a NATA accredited testing laboratory.

PERFORMANCE ATTRIBUTES OF THE TEST WHEELCHAIR

Test Method	Test Title	Performance/Results	Values
AS3696.1	Determination of static stability	Stable on a slope of 15° a) with locked brakes in fore direction b) with locked brakes in aft direction c) with unlocked brakes in aft direction d) with locked brakes in the transverse direction	to be included when results become available
AS3696.3	Determination of the efficiency of brakes	b) Parking brakes hold on a slope of 10°	
AS3696.8	Static, impact and fatigue strength	Pass	

8.0 CERTIFICATION

Certification Aktiv Xseries wheelchair have been rigourously tested for their purpose copies of crash test performance certificates and CE certificates available on request.

Test Report



CLIENT CONFIDENTIAL

Client	Murrays Medical Equipment Ltd
Test Item	X5
Test	ISO 7176/19 Wheelchair
Millbrook Report No.	12/0398
Millbrook Project No.	CR0224-001-01
Millbrook Test No.	S12089

Author:

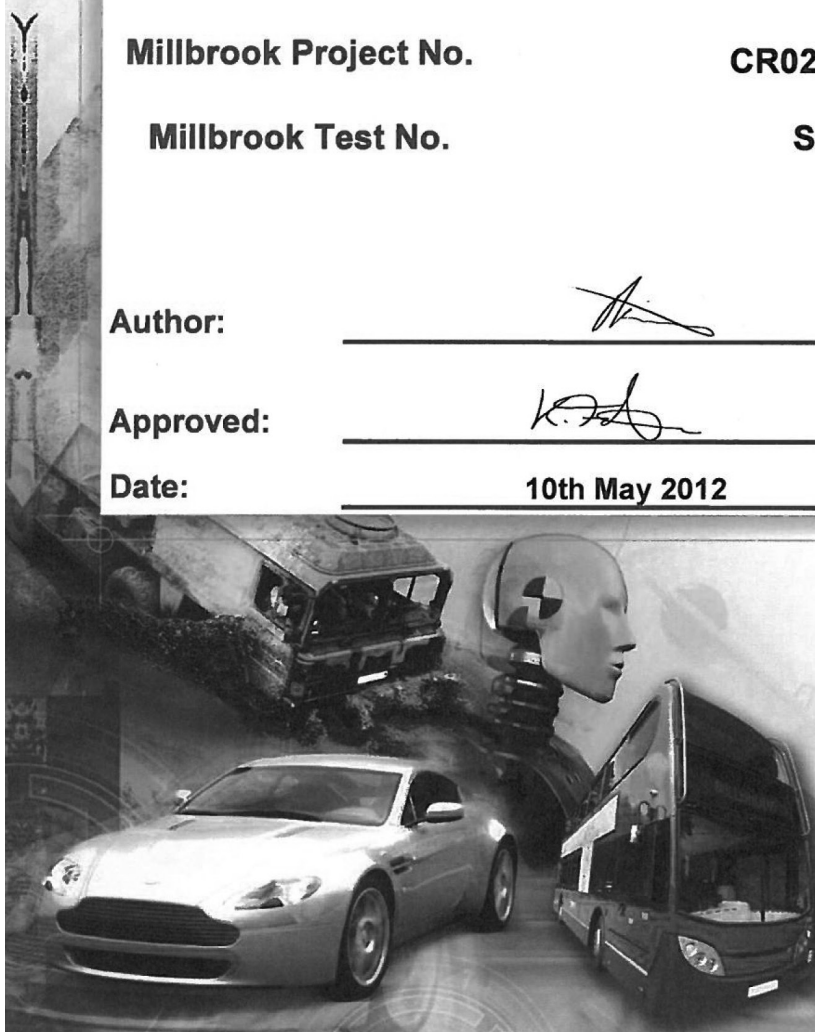
Oliver King
Engineer

Approved:

Kieran Forinton
Principal Engineer

Date:

10th May 2012



Millbrook Proving Ground Ltd

Millbrook, Bedford, MK45 2JQ, UK

Tel: +44 (0)1525 404242

Fax: +44 (0)1525 403420

Email: info@millbrook.co.uk

www.millbrook.co.uk

9.0 WARRANTY

9.1 WARRANTY DESCRIPTION

5 Years.

The frame of the wheelchair shall be covered by a 5 year conditional warranty against faults or breakages attributable to faulty manufacture. Definition of the Frame: The frame is the main structure of the wheelchair onto which the various components are fitted to complete the chair. This includes the cross brace and seat base, but not those components, such as the seat that are fitted to it. The frame does not include any removable part of the wheelchair, including those components that require tools for removal. This includes, but is not limited to the entire backrest assembly (including upright canes), Footrests, Armrests, Wheels and Castors, Brakes, Brackets, Upholstery and other Optional Accessories.

1 Year

The various accessories that are fitted to the frame including, but not limited to the entire Backrest Assembly (including upright canes), Footrests, Armrests, Brackets, Upholstery and other Optional Accessories are covered by a 1 year conditional warranty against faults or breakages attributable to faulty manufacture.

9.2 CONDITIONS

The warranty commences from the date of purchase. A proof of purchase clearly showing the date of purchase and the dealer's name and details must be produced in order to claim for a warranty repair or replacement. Any warranty claims within the warranty period will be assessed and proven to be defective by an authorised Aktiv Wheelchairs technician before any parts are repaired or replaced. Warranty claims will not be accepted without proof of purchase. This warranty does not extend to freight charges incurred to return the wheelchair to the dealer or to Aktiv Wheelchairs for repair or replacement. The above mentioned warranties are for faults or breakages caused during normal domestic use attributable to only faulty manufacture. This excludes defects or injury caused by or resulting from corrosion, misuse, abuse, neglect, accidental damage, improper assembly, improper voltages, vermin infestation, or any alteration that effects the reliability of the product. Items affected by normal wear and tear are not covered by warranty. This includes, but is not limited to wear on tyres, wheels and bearings, seat and backrest upholstery, armrest pads, push handle grips and brake shoes.

Any alteration that is required to the wheelchair to enhance its function as a request by a qualified Medical Practitioner will require a written endorsement from a Aktiv Wheelchairs engineer. Any alteration carried out without written endorsement will void the warranty. The length of the warranty period may be adjusted at the discretion of a Aktiv Wheelchairs engineer depending on the type of alteration carried out. Any alterations or adjustments carried out without the use of genuine Aktiv Wheelchairs parts will void the warranty. Products will only be replaced under warranty if the fault cannot be repaired. Faulty components that cannot be repaired will not warrant the replacement of the entire product, but will be limited to the replacement of the faulty component only. Every replaced or repaired part shall under the same warranty conditions of the wheelchair.

The warranty period of repaired or replaced parts shall not extend beyond the original warranty period of the wheelchair. Any extended warranties offered by dealers are not part of the warranty offered by Aktiv Wheelchairs. Any claims resulting from an extended warranty arrangement will not be accepted by Aktiv Wheelchairs. The specifications in this manual are general, and may differ slightly from your wheelchair. Warranties cannot be claimed on discrepancies of information in this manual to the specifications of your wheelchair, unless it is proven to be genuine manufacturing fault. Any warranty claims must be processed through the dealer from which the wheelchair was purchased. In the event that a dealer does not satisfy their obligation to process a warranty claim, please contact your agent.



Murray's Medical
Airton Park - Airton Rd - Tallaght - Dublin 24
TEL: 01 8555 696 - service@murrays.ie

www.aktiv-wheelchairs.com