

Invoice to:
 Name:
 Street:
 Town: Postal code:
 E-Mail:
 Tel: Fax:

Deliver to:
 Name:
 Street:
 Town: Postal code:
 E-Mail:
 Tel: Fax:

Order date:
 Purchase order:
 Number required:



Marked for:
 Sunrise order no:

● = Standard

○ = No cost option

□ = Cost option

Transit approved to ISO 7176-19

(only when transit bracket option is selected in Frame Accessories section on prescription form)

Max. user weight: **65kg**

USER WEIGHT kg

Mandatory information to ensure correct configuration

Customer Service fax number: +44 (0)845 605 66 89

E-mail: orders@sunmed.co.uk

Order online at: www.sunscript.co.uk

Art. no.: 062000

Basic price £1,645

2,676.00 €

CLIENT MEASUREMENT

Seat width in cm

Seat depth in cm	Seat width in cm							
	22	24	26	28	30	32	34	36
24	<input type="radio"/>	<input type="radio"/>	<input type="radio"/>	<input type="radio"/>	<input type="radio"/>	<input type="radio"/>	<input type="radio"/>	<input type="radio"/>
26	<input type="radio"/>	<input type="radio"/>	<input type="radio"/>	<input type="radio"/>	<input type="radio"/>	<input type="radio"/>	<input type="radio"/>	<input type="radio"/>
28	<input type="radio"/>	<input type="radio"/>	<input type="radio"/>	<input type="radio"/>	<input type="radio"/>	<input type="radio"/>	<input type="radio"/>	<input type="radio"/>
30	<input type="radio"/>	<input type="radio"/>	<input type="radio"/>	<input type="radio"/>	<input type="radio"/>	<input type="radio"/>	<input type="radio"/>	<input type="radio"/>
32	<input type="radio"/>	<input type="radio"/>	<input type="radio"/>	<input type="radio"/>	<input type="radio"/>	<input type="radio"/>	<input type="radio"/>	<input type="radio"/>
34	<input type="radio"/>	<input type="radio"/>	<input type="radio"/>	<input type="radio"/>	<input type="radio"/>	<input type="radio"/>	<input type="radio"/>	<input type="radio"/>
36	<input type="radio"/>	<input type="radio"/>	<input type="radio"/>	<input type="radio"/>	<input type="radio"/>	<input type="radio"/>	<input type="radio"/>	<input type="radio"/>
38	<input type="radio"/>	<input type="radio"/>	<input type="radio"/>	<input type="radio"/>	<input type="radio"/>	<input type="radio"/>	<input type="radio"/>	<input type="radio"/>

Each seat width can be extended by 2 cm without extra parts

Please note the method of measurement is from the back. All measurements are in cm and without a cushion.

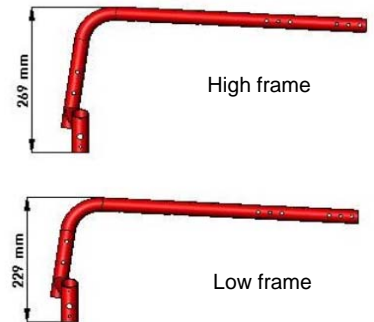
Only available with abduction frame

Each seat depth can be extended by 4 cm without extra parts

Front seat height in cm

Front castor	Fork (length x width)	Frame:	Front seat height in cm															
			36	37	38	39	40	41	42	43	44	45	46	47	48			
3"	98 mm x 32 mm	Low	<input type="radio"/>	<input type="radio"/>	<input type="radio"/>													
	111 mm x 32 mm	Low	<input type="radio"/>	<input type="radio"/>	<input type="radio"/>	<input type="radio"/>												
	98 mm x 32 mm	High					<input type="radio"/>	<input type="radio"/>	<input type="radio"/>	<input type="radio"/>								
	111 mm x 32 mm	High					<input type="radio"/>	<input type="radio"/>	<input type="radio"/>	<input type="radio"/>	<input type="radio"/>							
4"	111 mm x 45 mm	Low		<input type="radio"/>	<input type="radio"/>	<input type="radio"/>	<input type="radio"/>											
	123 mm x 45 mm	Low		<input type="radio"/>	<input type="radio"/>	<input type="radio"/>	<input type="radio"/>											
	98 mm x 32 mm	Low		<input type="radio"/>	<input type="radio"/>	<input type="radio"/>	<input type="radio"/>											
	111 mm x 32 mm	Low		<input type="radio"/>	<input type="radio"/>	<input type="radio"/>	<input type="radio"/>											
	111 mm x 45 mm	High						<input type="radio"/>	<input type="radio"/>	<input type="radio"/>	<input type="radio"/>							
	123 mm x 45 mm	High						<input type="radio"/>	<input type="radio"/>	<input type="radio"/>	<input type="radio"/>	<input type="radio"/>	<input type="radio"/>					
5"	98 mm x 32 mm	High						<input type="radio"/>	<input type="radio"/>	<input type="radio"/>	<input type="radio"/>							
	111 mm x 32 mm	High						<input type="radio"/>	<input type="radio"/>	<input type="radio"/>	<input type="radio"/>	<input type="radio"/>						
	111 mm x 45 mm	Low					<input type="radio"/>	<input type="radio"/>	<input type="radio"/>	<input type="radio"/>								
	123 mm x 45 mm	Low					<input type="radio"/>	<input type="radio"/>	<input type="radio"/>	<input type="radio"/>								
6"	98 mm x 32 mm	Low						<input type="radio"/>	<input type="radio"/>	<input type="radio"/>								
	111 mm x 32 mm	Low						<input type="radio"/>	<input type="radio"/>	<input type="radio"/>								
	123 mm x 45 mm	High									<input type="radio"/>	<input type="radio"/>						

Your rear seat height can only be between 0 cm and 13 cm below your front seat height:
 i.e. rear seat height CANNOT be above front seat height



Rear seat height in cm

Rear wheel	Wheels	Rear seat height in cm																							
		29	30	31	32	33	34	35	36	37	38	39	40	41	42	43	44	45	46						
20"		<input type="radio"/>	<input type="radio"/>	<input type="radio"/>	<input type="radio"/>	<input type="radio"/>	<input type="radio"/>	<input type="radio"/>	<input type="radio"/>	<input type="radio"/>	<input type="radio"/>	<input type="radio"/>	<input type="radio"/>	<input type="radio"/>	<input type="radio"/>	<input type="radio"/>	<input type="radio"/>	<input type="radio"/>	<input type="radio"/>	<input type="radio"/>	<input type="radio"/>	<input type="radio"/>	<input type="radio"/>	<input type="radio"/>	<input type="radio"/>
22"																									
24"																									

Please follow measuring method:

The following method is recommended on the basis of extensive practical experience. Deviations are possible in individual instances

Seat width:

a) For the user:

Allow space between side guard and between hip on each side of the chair (approx. 1 - 2 cm altogether).

b) On the wheelchair:

From outside side guard to outside side guard

Seat depth:

a) For the user:

When sitting upright: leave space for 2-3 fingers between front edge of seat upholstery and back of knee (approx. 3-6 cm). Care must be taken with adjustable upholstery.

b) On the wheelchair:

From back tube to front of seat upholstery.

Back height:

a) For the user:

Measured from the seat, including cushion, to be **no more** than one finger (1 - 2 cm) below the lower shoulder blade.

Important! The back height depends on the degree of disability.

b) On the wheelchair:

From seat tube to upper edge of backrest upholstery.

Note: The user's ability to sit upright has a major influence on the back height and it can therefore differ considerably.

Lower leg length:

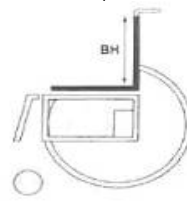
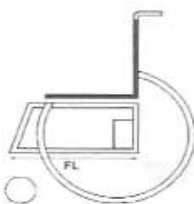
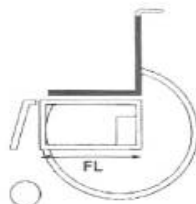
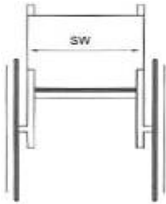
a) For the user:

With legs angled at right angles, from back of knee to bottom of shoe sole.

Remember: to deduct the cushion height when providing the measurement

b) On the wheelchair:

From front of seat to top of footrest.



Overall width with:

	20"	22"	24"
For 0° camber:	SW+16cm	SW+16cm	SW+16cm
For 3° camber:	SW+20cm	SW+20cm	SW+21cm
For 6° camber:	SW+26cm	SW+26cm	SW+27cm
For 9° camber:	SW+31cm	SW+32cm	SW+33cm

each with handrim distance std

Overall width:

Max overall height: 88 cm
Max overall length: 85 cm

Min overall height: 61 cm
Min overall length: 57 cm

Chair specification:

Long frame; seat depth: 42cm; COG: 2cm;
24" wheel and 6" front castor

Short frame; seat depth: 24cm; COG: 10cm;
20" wheel and 4" front castor

Weights:

Minimum weight:
approx from 8 kg

Please note that the matrix is based on a std configuration

Std chair 30 x 32 cm, 6° camber, 6 cm CoG

Seat angle of 6°

All changes in the configuration might change the seat heights.
Manufacturing tolerances of +/- 1 cm

NOTES:

Max seat height difference rear to front is 13 cm.

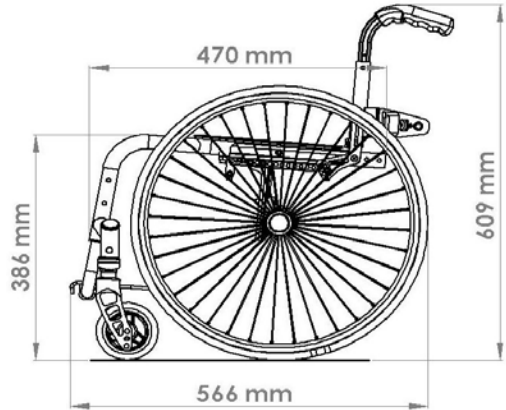
No negative seat angle is possible

Please note that the matrix is based on a standard configuration

Maximum measurements



Minimum measurements



HIGH FRAME
Seat height of high frame:
40cm to 48cm



LOW FRAME
Seat height of low frame:
36cm to 44cm

SIMBA

● = Standard ○ = No cost option □ = Cost option

£ €


SEAT UPHOLSTERY				£	€
Seat sling <i>(with pad)</i>					
3002	●	1 Utility bag			For more information about Jay please contact customer services
3005	□	Utility bag and catheter bag <i>(only from SW 34cm)</i>	62.00	€101	
3001	□	Without seat sling	-24.00	-€39	
For JAY Seating, see Jay order form					

Seat cushion with cover, black				£	€
3026	a)	Foam composite Thickness:	□ 3cm □ 5cm <i>(medium)</i>	42.00	€68
3027	b)	Latex Thickness:	□ 5cm □ 8cm <i>(very soft)</i>	42.00	€68

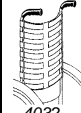
Seat cushion with water resistant / breathable cover				£	€
3028	a)	Foam composite Thickness:	□ 3cm □ 5cm <i>(medium)</i>	85.00	€138
3029	b)	Latex Thickness:	□ 5cm □ 8cm <i>(very soft)</i>	85.00	€138

Seat accessories				£	€
4049	□	Positioning belt with lock		29.00	€47
3003	□	Spare cushion cover with zipper		31.00	€50

Backrest (range)	20 - 25	25 - 30	30 - 35	35 - 40
Back height set at (cm)	○ 20 ○ 22.5 ○ 25	○ 25 ○ 27.5 ○ 30	○ 30 ○ 32.5 ○ 35	○ 35 ○ 37.5 ○ 40

BACKREST						
Backrest frame (4 cm seat depth growth build in)						
4029	●	Foldable, angle adjustable <i>(74° to 110° adjustable)</i>	<i>(-16° to +20°)</i>		 4029	
4016	□	Double locking back (6) <i>(not in combination with 1240)</i>	<i>(74° to 110° adjustable)</i>	<i>(-16° to +20°)</i>		26.00 42.00
1240	□	Relax position (+10°) <i>(not in combination with 4016)</i>				121.00 197.00

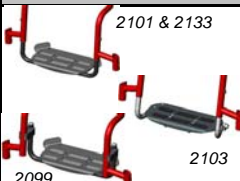
Push handles					
4054	○	Without push handles (rounded tube end)			 4022 4024 4034
4042	○	Std. push handles (short)			
4022	○	Std. push handles (long)			
4024	□	Fold-down push handles (1)	100.00	163.00	
4034	□	Height-adjustable push handles (6)	133.00	216.00	
4046	□	Fitting kit (spacer) for shells/backs (6)	53.00	86.00	

Backrest upholstery					
4032	○	Adjustable backrest upholstery			 4032
4038	□	Adjustable backrest with vented material	77.00	125.00	
4031	□	Without back upholstery	-26.00	-42.00	

Headrest					
4027	□	Headrest (2) <i>(not in combination with 4022, 4024 & 4051)</i>		144.00	234.00
		□ small □ large <i>(not in combination with 4022, 4024 & 4051)</i>			

SIDE GUARDS AND ARMREST					
Side guards (each in small and large depending on wheel size)					
4238	□	Straight side guard aluminium with fender (Pair)	187.00	304.00	
Armrests (pair)					
4227	□	Tool height adjustable armrest - short pad (3) (includes aluminium side guard)	253.00	412.00	

Accessories					
4242	□	Height adjustable tray table, slide-on for SW 22 - 36 cm	98.00	159.00	
4225		Therapy table, flip-down for SW 26 - 36 cm (4) <i>(only with height adjustable armrests with pad)</i>			
		Attachment: □ right hand □ left hand	144.00	234.00	

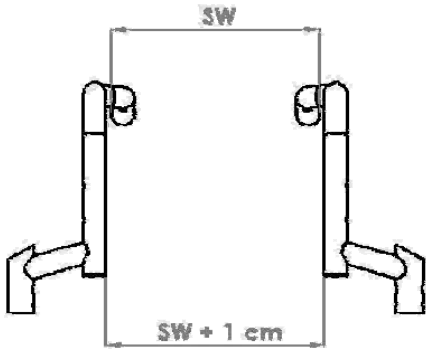
LEGREST & FOOTPLATES					
Footplates					
2098	□	Platform footrest angle and depth adjustable (composite footboard) (5)	80.00	130.00	 2101 & 2133 2103 2099 2103
2101	□	Platform footplates angle and depth adjustable (aluminium footboard) (5)	89.00	145.00	
2103	○	Platform footrest swing back (composite footboard) (5)			
2099	□	Platform footplates, high mount (composite footboard) <i>(for lower leg length between 17 - 25 cm)</i>	89.00	145.00	
2133	□	Foot positioning plate <i>(not in combination with 2103)</i>	49.00	80.00	

(1): Only available from back height 30 cm
(2): Only available from back height 30 - 35cm
(3): Not available with the Safari wheel lock - wheel lock integrated into Side guard (6001)
(4): Only available with tool height adjustable armrest - short pad (4227)
(5): For lower leg length between 22 - 36 cm
(6): If the combination of 4016 and 4034 are chosen then 4046 must be added

For more information visit our webpage www.sunrisemedical.com

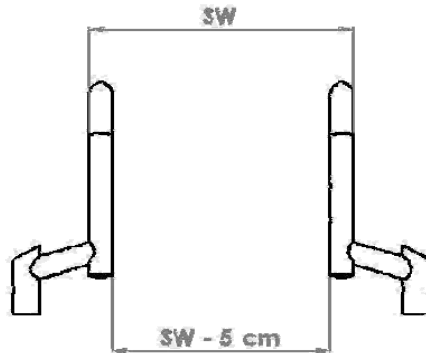
Frame abduction table

Seat width	22	24	26	28	30	32	34	36	38
Frame type	cm	cm	cm	cm	cm	cm	cm	cm	cm
Straight				23	25	27	29	31	33
Abduction	23	25	27	29	31	33	35	37	39



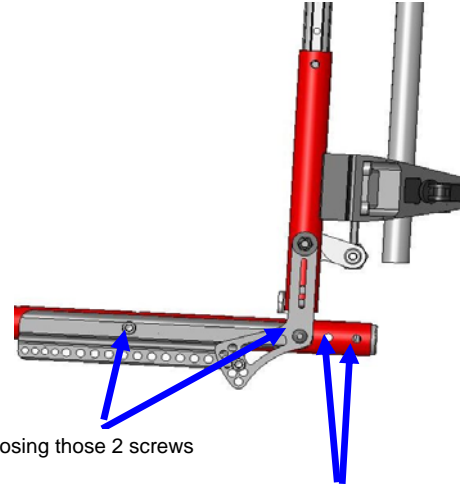
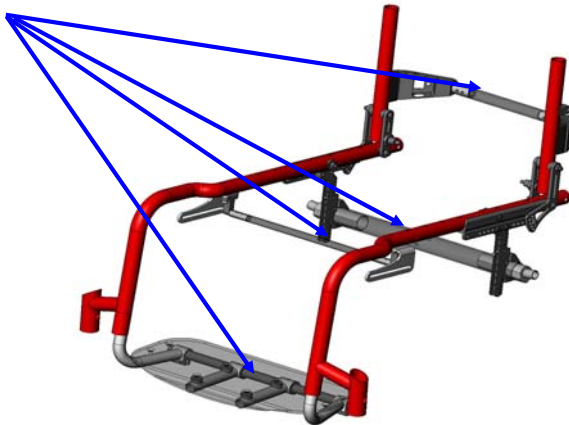
Abduction

Seat width growth of 2cm without new parts



Straight

Seat depth growth of 4cm without new parts

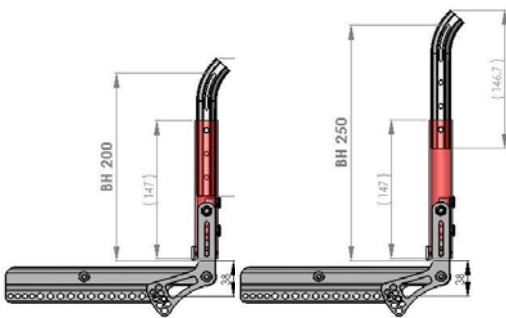


By loosing those 2 screws

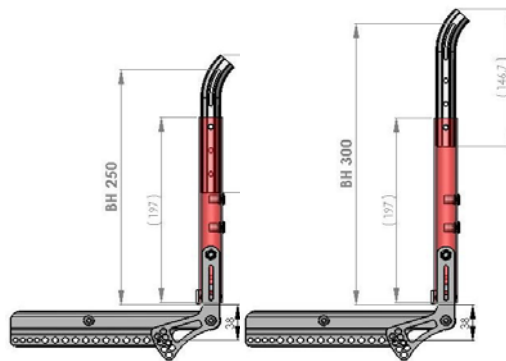
2 new seat depths without using new parts. In Total additional 4cm

Backrest height: 20 – 25cm range

Backrest height: 25 – 30cm range



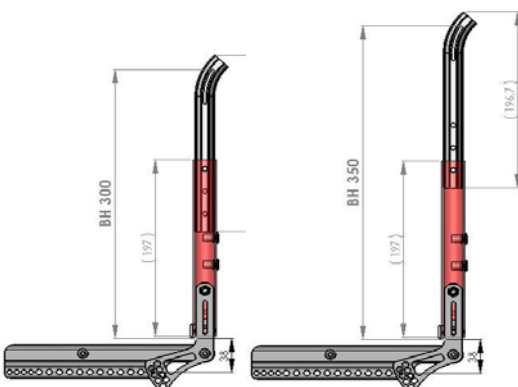
Shrt. Backrest frame & short push handle tubes



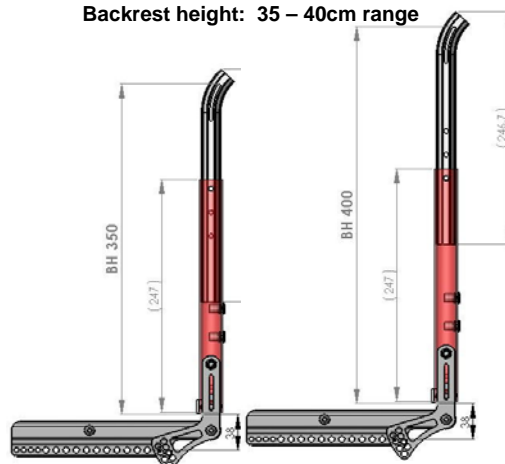
Medium Backrest frame & short push handle tubes

Backrest height: 30 – 35 cm range



Backrest height: 35 – 40cm range




Medium Backrest frame & medium push handle tubes



Long Backrest frame & long push handle tubes

SIMBA		£	€
<input checked="" type="radio"/> = Standard <input type="radio"/> = No cost option <input type="checkbox"/> = Cost option			
Lower leg length (LLL) <i>(Attention: LLL has to be 2,5 cm lower than seat height front)</i> <input type="radio"/> 17 <input type="radio"/> 18 <input type="radio"/> 19 <input type="radio"/> 20 <input type="radio"/> 22 <input type="radio"/> 23 <input type="radio"/> 24 <input type="radio"/> 25 <input type="radio"/> 26 <input type="radio"/> 27 <input type="radio"/> 28 <input type="radio"/> 29 <input type="radio"/> 30 <input type="radio"/> 31 <input type="radio"/> 32 <input type="radio"/> 33 <input type="radio"/> 34 <input type="radio"/> 35 <input type="radio"/> 36			
All measurements are in cm			
FRAME 95° knee angle			
1271	<input type="radio"/> Straight standard frame (1)		
1272	<input type="radio"/> Abduction standard frame (3cm)		
		 	
AXLE PLUG AND CENTRE OF GRAVITY (COG) <i>(all measurements are in cm) (choose only one option)</i>			
Choose only one of the 9 choices (measured from front of back post in cm)			
<input type="radio"/>	2.00cm		
<input type="radio"/>	3.00cm		
<input type="radio"/>	4.00cm		
<input type="radio"/>	5.00cm		
<input type="radio"/>	6.00cm		
<input type="radio"/>	7.00cm		
<input type="radio"/>	8.00cm		
<input type="radio"/>	9.00cm		
<input type="radio"/>	10.00cm		
FRAME ACCESSORIES			
8999	<input type="radio"/> Crash test brackets (tie downs)		
Tip assist (step tube) <i>(choose either tip assist or anti- tip tubes, not both)</i>			
1230	<input type="checkbox"/> Left 1230 <input type="checkbox"/> Right	23.00	37.00
1205	<input type="checkbox"/> Crutch holder with Velcro <i>(only in combination with 1230)</i>	50.00	81.00
Anti-tip tubes, swing-away			
1244	<input type="checkbox"/> Left 1244 <input type="checkbox"/> Right	66.00	107.00
1244	<input type="checkbox"/> Pair	131.00	213.00
STANDARD CASTORS <i>(compare with your choice on the first page)</i>			
5812	<input type="radio"/> Solid		
5823	<input type="radio"/> Soft solid <i>(only for 5" & 6")</i>		
Light ups			
5850	<input type="checkbox"/> Solid <i>(only for 3", 4" and 5")</i>	49.00	80.00
Castors with aluminium rim			
5852	<input type="checkbox"/> Solid <i>(only for 4" and 5")</i>	60.00	98.00
5855	<input type="checkbox"/> Soft roll castor with aluminium rim wide version <i>(only for 4" and 5")</i>	60.00	98.00
REAR WHEELS <i>(compare with your choice on the first page; choose only one wheel type)</i>			
5172	<input type="radio"/> Cross spoked <i>(pair) (only available with 22" & 24")</i>		
5137	<input type="radio"/> Design wheels (straight spoked) <i>(pair) (not with 22")</i>		
5140	<input type="radio"/> Lightweight wheels (straight spoked) <i>(pair) 22+24"</i>		
	<input type="checkbox"/> Proton wheels <i>(pair) (only available with 20", 22" & 24")</i>	390.00	635.00
5162	<input type="checkbox"/> Mountain bike wheels <i>(only with 24", mountain bike tyres & aluminium rim, black coated)</i>	249.00	405.00
5162	<input type="checkbox"/> Additional mountain bike wheels (pair) <i>(only with 24" & mountain bike tyres)</i>	374.00	608.00
		20" cross spoked available as a special build, with an up charge.	
TYRES <i>(choose only one tyre type)</i>			
5125	<input type="radio"/> Right Run <i>(available in 20"; 22" and 24")</i>		
5118	<input type="radio"/> Lightweight <i>(only 24")</i>		
5168	<input type="radio"/> Solid tyres <i>(only 24", not available with Safari wheel locks)</i>		
5167	<input type="checkbox"/> 24" Two grip "down town" <i>(only 24")</i>	71.00	116.00
5164	<input type="checkbox"/> 24" Marathon plus evolution <i>(only 24" - puncture resistant)</i>	61.00	99.00
HAND RIMS			
5142	<input type="radio"/> Aluminium silver anodised		
5144	<input type="radio"/> Aluminium silver powder coated		
5145	<input type="radio"/> Stainless steel 22" with thin diameter (15 mm)		
5183	<input type="checkbox"/> Coloured aluminium push rim. colour code: (2)	48.00	78.00
5174	<input type="radio"/> Stainless steel		
5122	<input type="checkbox"/> Titanium <i>(not with 22" wheels)</i>	138.00	225.00
5121	<input type="checkbox"/> Titanium clear powder coated <i>(not with 22" wheels)</i>	138.00	225.00
5120	<input type="checkbox"/> Supergrip <i>(only 24" wheels)</i>	175.00	285.00
5126	<input type="checkbox"/> Ergo hand rims	175.00	285.00
Hand rim mounting <input type="radio"/> Standard = 17mm <input type="radio"/> Wide = 27mm			
<input type="radio"/> Close = 7mm <i>(only with stainless steel)</i>			
5178	<input type="checkbox"/> Hand rim cover <i>(not in combination with 5174) (only 22" and 24")</i>	69.00	112.00
(1): available from Seat width 28 cm (2): not with lightweight wheel (5140)		For more information visit our webpage www.sunrisemedical.com	

SIMBA																			
● = Standard ○ = No cost option □ = Cost option					£		€												
WHEEL CAMBER <small>(choose only one option)</small>																			
5161 ○ 0°		5161 ○ 6°																	
5161 ○ 3°		5161 ○ 9°																	
Spoke guards Please refer to the brochure and provide number/description																			
□ Spoke guards		Number		Description		99.00		161.00											
Please consult the following page to choose your selection or to order a copy of our brochure please call 0845 605 66 88 or e-mail literaturerequests@sunmed.co.uk You can also view the brochure online by visiting www.sunrisemedical.com and navigating to Quickie Simba. You will find the brochure under Multimedia & Downloads																			
WHEEL LOCKS <small>(choose only one option)</small>																			
6009 ○ Standard wheel lock																			
6008 □ Knee lever wheel lock						43.00		70.00											
6003 □ Compact wheel lock				<small>(only available on straight frame)</small>		33.00		54.00											
6001 ○ Safari wheel lock (Wheel lock integrated into side guard - must pick side guard)				<small>not available with solid tyres</small>															
6002 □ Attendant wheel lock with Safari wheel lock						102.00		166.00											
Wheel lock accessories																			
6016 □ Extension for knee lever wheel lock, slip-on, swing-away				<small>(only on 6008)</small>		31.00		50.00											
ACCESSORIES																			
● Tool kit																			
1402 □ High pressure pump						59.00		96.00											
1403 □ Air pump						8.00		13.00											
4006 □ Back pack						45.00		73.00											
1405 □ Net back bag						18.00		29.00											
1281 □ Impact guard				<small>(not with platform footplates 2099)</small>		47.00		76.00											
2118 □ Bag caddy				<small>(not with platform footplates 2099)</small>		45.00		73.00											
2113 □ Mobile phone holder						14.00		23.00											
COLOURS																			
		Frame		Fork		Hand rim		Hub/rim				Frame		Fork		Hand rim		Hub/rim	
				£37.00 €60.00		£50.00 €81.00		£138.00 €225.00				£37.00 €60.00		£50.00 €81.00		£138.00 €225.00			
01	White RAL 9010	○		□		□		□		23	Matt Red	○		□		□		□	
02	Brilliant Silver	○		□		□		□		24	Tutti Fruitti Orange	□	£75 €122	□		□		□	
03	Matt Silver	□	£75 €122	□		□		□		26	Silver Texture	○		□		□		□	
04	Silver	○		□		□		□		27	Graphite Metallic	○		□		□		□	
06	Sun Yellow	○		□		□		□		28	Platinum Metallic	□	£75 €122	□		□		□	
07	Brilliant Lime	○		□		□		□		29	Black	○		□		□		□	
08	Matt Lime	□	£75 €122	□		□		□		31	Matt Black	○		□		□		□	
09	Candy Teal	○		□		□		□		32	Signal White	○		□		□		□	
10	Matt Candy Teal	□	£75 €122	□		□		□		33	Pink	○		□		□		□	
14	Blue	○		□		□		□		34	Dark chocolate metallic	○		□		□		□	
15	Brilliant Marine	○		□		□		□		35	Sky blue	□	£75 €122	□		□		□	
16	Matt Marine	□	£75 €122	□		□		□		36	Cyan Metallic	○		□		□		□	
19	Brilliant Purple	○		□		□		□		37	Mars red	○		□		□		□	
20	Matt Purple	□	£75 €122	□		□		□		39	Capuccino	○		□		□		□	
21	Red Ruby	○		□		□		□		40	Kiwi	○		□		□		□	
22	Brilliant Red	○		□		□		□		41	Flamingo Glitter	○		□		□		□	
										42	Matt Anthracite	□	£75 €122	□		□		□	
Upholstery colour <small>(vented only in black)</small>																			
Black		○		Purple		○													
Red		○		Blue		○													
Dark blue		○		Signal pink		○													
Comments for special build:																			
																			
Simba - Base Price						£		1,645		€2,676									
Option price						£													
Exclusive VAT																			
VAT.																			
Total Price						£													
Sunrise Medical Customer Service																			
Address: Thorns Road, Brierley Hill, West Midlands DY5 2LD			E-mail: orders@sunmed.co.uk																
Tel. 0845 605 66 88			E-commerce: www.sunscript.co.uk																
Fax. 0845 605 66 89			Website: www.sunrisemedical.com																



5000 - Princess Life



5001 - Dancing Bear



5002 - Jungle Fever



5004 - Happy Lions



5005 - Water World



5006 - Randolph



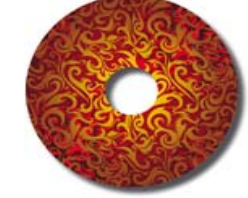
5007 - Monkeys



5008 - Pirates



5015 - Feather



5025 - Oriental



5012 - Racing



5014 - Dirt Race



5003 - Superhero



5018 - Graffiti



5017 - Chrome Wheel



5016 - Hot Wheels



5023 - Basketball



5024 - Basketball 2



5013 - Pool



5022 - Flying Water



5021 - Space



5020 - Silk



5011 - Abstract



5019 - Creative



5009 - Tiger



5010 - Zebra



5135 - Cheese



5129 - Bibbo



5134 - Galactica



5127 - Rotation



5130 - Fantasy



5128 - Graphic